

Reflective Curved Cloud

► Specialized CT

Reflective Clouds are assets in spaces where audio and comprehension are critical, but a strong design element is still desired. Reflective clouds bounce sound to the hard to reach areas of an auditorium or theater, allowing audio engineers to make every seat in the house a sweet spot.

Items to specify

Mounting type

Standard mounting is direct attachment to the wood ribs using aircraft cable.

Edge profile

Square
Built-up edges are available to hide hardware, 3" maximum.

Finishes

Fabric partners

Carnegie **kvadrat** **Gulford of Maine**
maharam **DESIGNTEX** **Knoll**

Paint

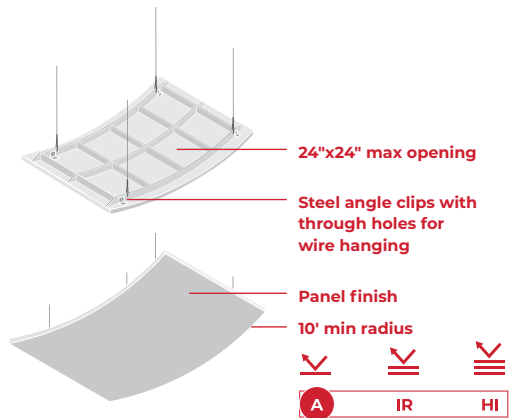


Foundations

Foundations | Painted products can be left unpainted, to be finished in the field.

Wood veneer

High pressure laminate



[Click for full specsheet](https://conwed.com/specsheet-reflective-curvedcloud)
conwed.com/specsheet-reflective-curvedcloud



Fire rating

Class A rating for painted & fabric.
Class B for laminate & wood veneer.



Shapes

—



Washable

Refer to the Maintenance & Cleaning Guide for more details.
conwed.com/cexp-maintenanceandcleaning



Sustainability

For your LEED projects, our products can help you qualify for different points depending on the product you choose. Contact us to learn more detailed information.
To view our certificate visit conwed.com/cexp-LEED.



Warranty

3 years. Refer to Warranty for more details.
conwed.com/cexp-warranty

Max size availabilities

Thickness	48"x120"
2 1/4"	•
Reflector length	Mounting points
≤ 48"	4
48"-96"	6
> 96"	8

Mounting & ganging

