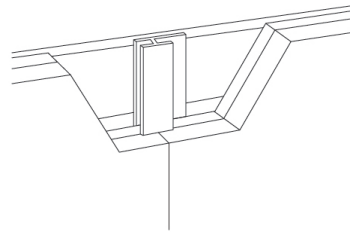




Splines

Wall & Ceiling Mounting



I. Inspection

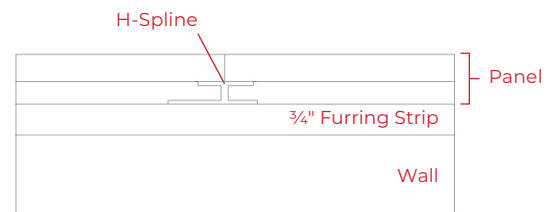
- **Freight Damage:** Inspect cartons for obvious damage before accepting and note on delivery ticket.
- **Concealed Damage:** Notify Conwed of any concealed damage within five (5) business days of receipt. Claims beyond five (5) days will be honored at the discretion of Conwed or the freight company.
- Do not install panels of unacceptable quality. Contact your sales representative immediately. Conwed will not be responsible for installation or removal costs of unacceptable panels.

II. Handling & Storage

- Clean white gloves must be used whenever handling ceiling panels.
- Store panels on a flat, dry, solid surface. Do not store on edge.
- Keep panels dry, clean and free from dust and damage.

III. Wall Installation Options

- The majority of spline attachment is done directly to drywall often in combination with adhesive.
- One common option is to run horizontal furring strips to even-up wall surfaces and to increase the acoustical absorption of the wall panel assembly.



Planning Install

1. Review the materials list supplied by Conwed (Plant Order) and any drawings. Carefully determine the starting position of the first panel.
2. Snap lines on wall both vertically and horizontally keeping lines plumb and square.
3. Many installers attach a standard wall angle or wood nailer to the bottom of the panel run, unless the panels are resting on the floor. A fabric-covered wall angle can be supplied.

Disclaimer: The following are guidelines given in good faith to help avoid common errors. They are not intended to be a step-by-step list of instructions or a checklist, and it is assumed the installer has general construction knowledge. Conwed bears no responsibility for any installation actions taken or not taken, and is not responsible for installer selection.



Splines

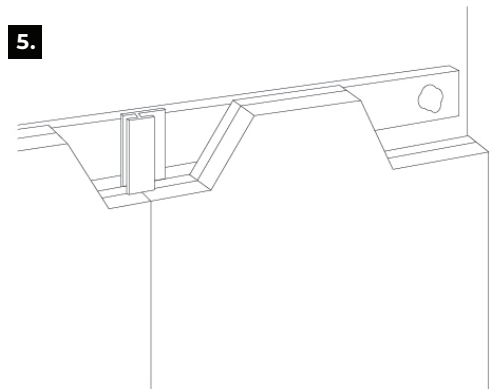
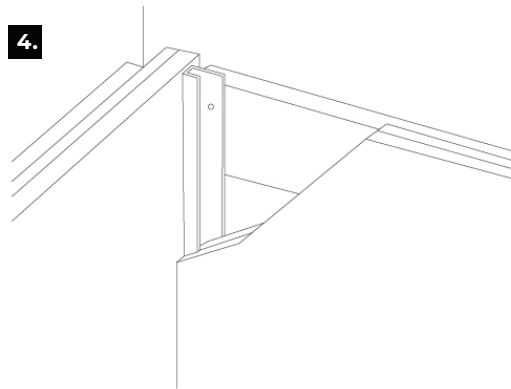
Wall & Ceiling Mounting

III. Wall Installation Options (continued)

Installing First Panel

4. The first option shown is to cut the short webs from a standard spline to create a starter spline. Using #6 sheet rock screws, or other appropriate fasteners, attach to wall surface. Common screw spacing is approximately 12 inches apart.

5. As an option, use adhesive along a corner as shown. High quality wall mastics such as Liquid Nails PL200, Chemrex 200 and others have been successfully used. The goal is to attach the fabric to the wall surface. Also, adhesive can skin over quickly; therefore apply and mount quickly.



Completing the Install

6. Once the first panel is in place, snugly engage a spline provided into the kerfed edge, attach to the wall surface as described above. Note that the spline length is 8'. Plan full-length splines for panels 8' and shorter, and 8' splines for panels longer than 8'. For these longer panels, center splines.

7. Engage the next panel on the splined assembly. Be sure to keep each panel in alignment and plumb.

8. Normally the last panel in a run is held by adhesive on the trailing edge.

IV. Ceiling Installation

Spline installation on ceilings is possible in limited situations. Usually a maximum distance between splines of 30" is required for 1" or greater fiberglass thickness, or no more than 24" for mineral board. Additional adhesive between splines is required.



Splines

Wall & Ceiling Mounting

V. Field Cutting

1. Pull back fabric just beyond field cut. Keep as close to field cut point as possible without damaging fabric with field cut.
2. Cut and remove excess substrate. A small metal cutting blade works well to cut hardened fiberglass edges. Trim the fabric so it will wrap approximately 2" onto the back of the panel.
3. Cut strips of laminate (Formica), hardboard or similar material to match substrate thickness. Apply to the cu edge with spray adhesive such as 3M Spray 77. This is required for a crisp, uniform fabric edge.
4. Apply spray adhesive to fabric back, panel edge and 2" of panel back. Wrap fabric to back and tailor corners to match unaffected corners using a sharp scissors.

