



Gridlock Ceiling System

I. Inspection

- **Freight Damage:** Inspect cartons for obvious damage before accepting and note on delivery ticket.
- **Concealed Damage:** Notify Conwed of any concealed damage within five (5) business days of receipt. Claims beyond five (5) days will be honored at the discretion of Conwed or the freight company.
- Do not install panels of unacceptable quality. Contact your sales representative immediately. Conwed will not be responsible for installation or removal costs of unacceptable panels.

II. Handling & Storage

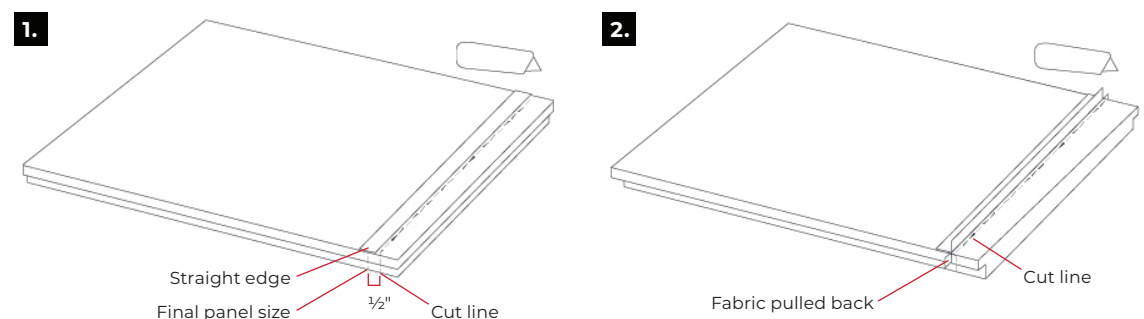
- Clean white gloves must be used whenever handling ceiling panels.
- Store panels on a flat, dry, solid surface. Do not store on edge.
- Keep panels dry, clean and free from dust and damage.

III. Recommended Practice

- Square the grid before beginning the installation to avoid later alignment issues. Less than $\frac{1}{16}$ " variation in diagonal measurements should be targeted.
- Common practice is to install wall angle $\frac{1}{2}$ " lower than the face of the grid to hide field cut edges. If this cannot be done then follow steps below:

1. Cut Core and Fabric $\frac{1}{2}$ " Longer than Final Dimension: If you have a fabric that makes the panels directional, make sure the arrows on the backs of the panels are aligned and make your cuts to maintain that direction. It's a good practice to measure both edges of the grid opening, and mark those on the panel face.

2. Cut Core: Pull the fabric back from the cut edge just over $\frac{1}{2}$ " and not farther! Cut the core to the finished size. Note that if the fabric is pulled back too far, it will leave an objectional line on the face of the panel.



Disclaimer: The following are guidelines given in good faith to help avoid common errors. They are not intended to be a step-by-step list of instructions or a checklist, and it is assumed the installer has general construction knowledge. Conwed bears no responsibility for any installation actions taken or not taken, and is not responsible for installer selection.

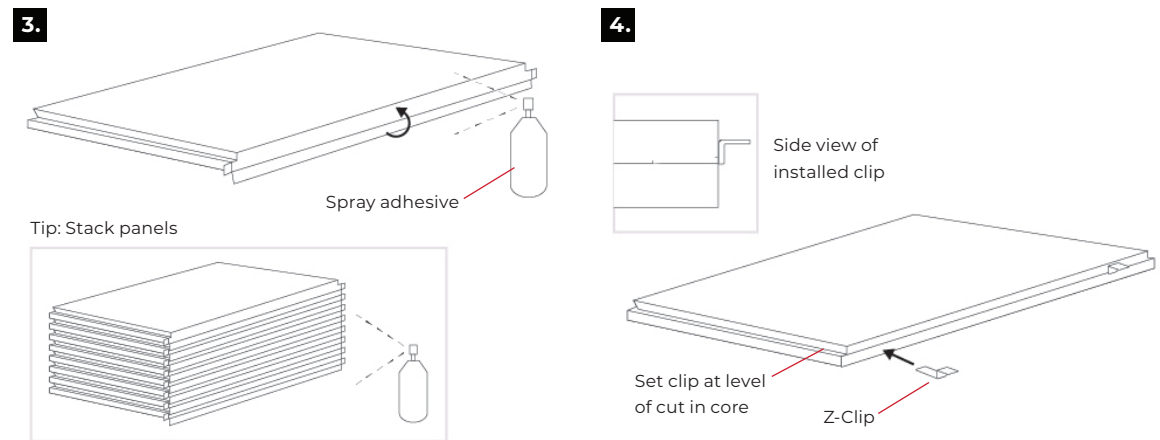


Gridlock Ceiling System

III. Recommended Practice (continued)

3. Glue Fabric: Use a spray contact adhesive such as 3M Spray 77 to coat both the panel core edge and the fabric. Do not get the adhesive on the face of the panel.

4. Install Clips: If the direction of the fabric caused you to cut off an edge that rested on the grid, use the Z-Clips provided. Use 2 clips up to 30" and add one clip in the center for longer edges. Note that the longer part of the clip is inserted in the panel.



IV. Painted Panel Guidelines

(Also applies to Scrim-faced panels)

In many cases, field cut edges can be hidden with a "T" or "L" channel. Often lights, sprinkler heads and similar items have escutcheon plates that will cover the exposed core. However if the field-cut edge is exposed, please follow the example below:

1. Required materials:
 - a. Pre-painted fiberglass mat from the factory.
2. Recommended Tools:
 - a. Clean gloves for handling the panels
 - b. Small circular saw with rip fence
 - c. Shop knife
 - d. Contact spray adhesive
 - e. Straight Edge (T square)
 - f. Pencil
 - g. 120 grit sandpaper
3. Determine new dimensions for the panel.
4. Lay the panel face down on a clean surface.

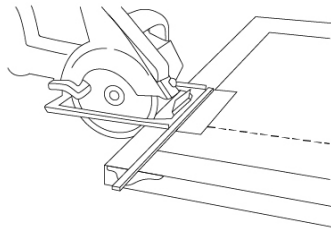


Gridlock Ceiling System

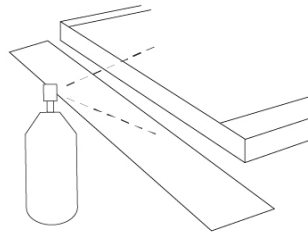
IV. Painted Panel Guidelines (continued)

5. Verify panel's original dimensions.
6. Mark the back of the panel to the new dimensions. Painted panels are non-directional, so for Gridlock panels, cut off a non-supporting edge.
7. Cut through the thickness of the panel on the mark for the new panel dimensions. Use a rip fence if available.
8. Cut a strip of the prepainted mat to cover the cut edge of the panel. The strip of pre-painted mat should be cut oversize. Mark the back of the pre-painted mat for easy identification.
9. Spray contact glue on the pre-painted mat and panel edge. Make sure to spray on the backside of the mat, and make sure to NOT get any glue on the panel face!
10. Apply the pre-painted mat to the edge of the panel. Make sure that all panel edges have good contact with the mat.
11. Immediately trim using knife as shown below. Cut against a hard surface. Note that cutting short ends first helps prevent tearing the mat.
12. Only if necessary, touch up the edges with LIGHT sanding (120 grit).

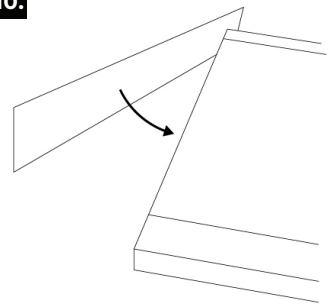
7.



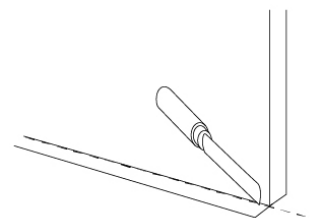
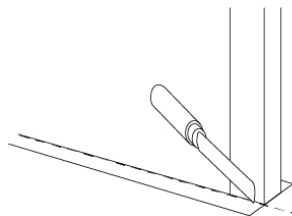
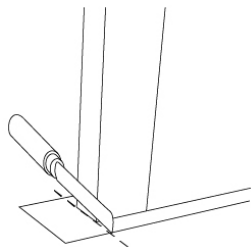
9.



10.



11.



Disclaimer of Liability: Technical information contained herein is furnished without charge or obligation and is given and accepted at recipient's sole risk. Because conditions of use may vary and are beyond our control, Conwed makes no representation about, and is not responsible or liable for the accuracy or reliability of data associated with particular uses of any product described herein. Nothing contained in this bulletin shall be considered a recommendation.