



Curved Reflective Clouds

I. Inspection

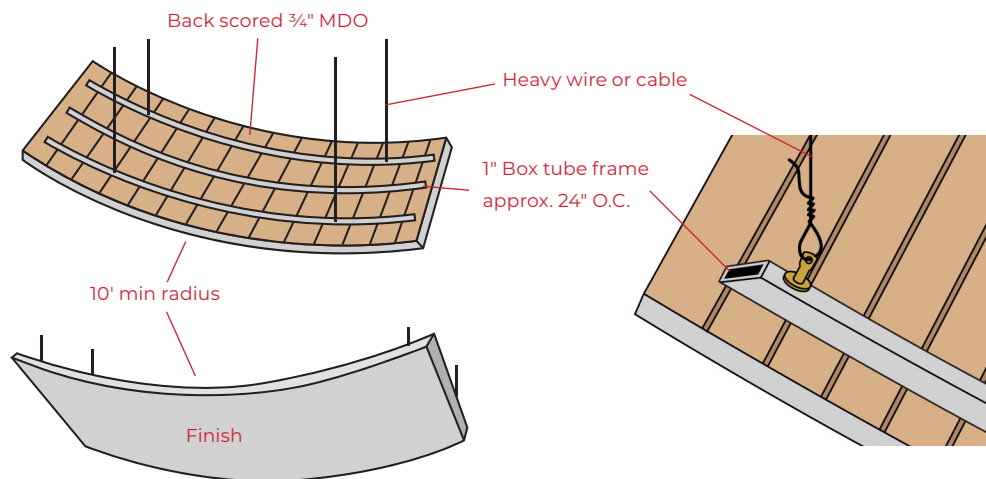
- **Freight Damage:** Inspect cartons for obvious damage before accepting and note on delivery ticket.
- **Concealed Damage:** Notify Conwed of any concealed damage within five (5) business days of receipt. Claims beyond five (5) days will be honored at the discretion of Conwed or the freight company.
- Do not install panels of unacceptable quality. Contact your sales representative immediately. Conwed will not be responsible for installation or removal costs of unacceptable panels.

II. Installing the Clouds

1. 8 attachment points per 48" x 120" panel, 6 per 48" x 96" panel, 5 for 30" x 96", and 4 for 48" x 48". (Note exception shown on page 2 when reflectors are ganged together.)

2. Follow applicable portions of sections 2.1 and 2.3 of ASTM C636-96. Specifically, a) use a minimum of No. 12-gage galvanized, soft-annealed, mild steel wire; and b) wire loops shall be tightly wrapped and sharply bent to prevent any vertical movement. Wire must be wrapped around itself a minimum of 3 full turns within a 3" length.

3. Local codes may exceed these minimums and must be strictly adhered to.

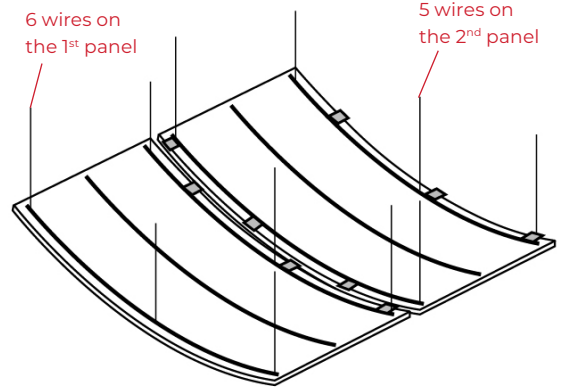
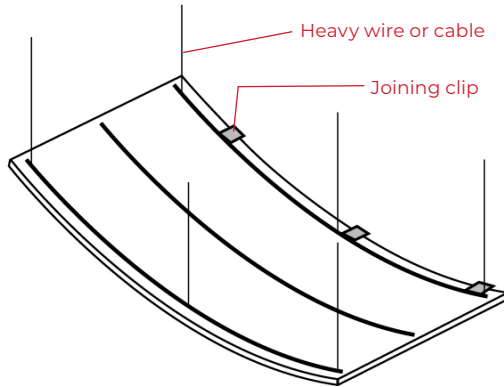


Disclaimer: The following are guidelines given in good faith to help avoid common errors. They are not intended to be a step-by-step list of instructions or a checklist, and it is assumed the installer has general construction knowledge. Conwed bears no responsibility for any installation actions taken or not taken, and is not responsible for installer selection.

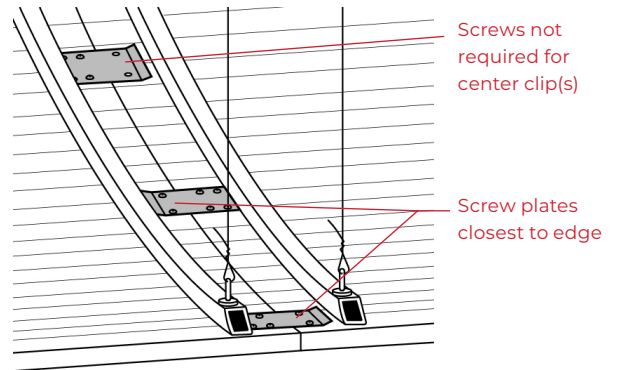
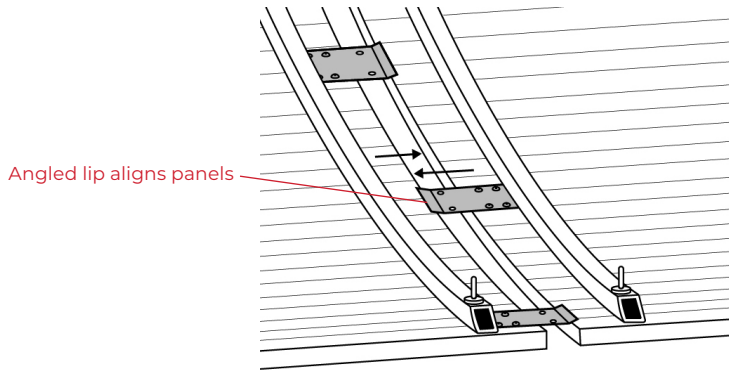


Curved Reflective Clouds

III. Best Practice for Face Alignment



IMPORTANT – Note offset installation of Joining Clips (6 per 8' length as shown).
Also Note: Factor of Safety on the "Following Panel" above is 8.0!



When installed, joining plates on the outside edges (usually the outside 2) are screwed to the next panel whereas this is not required for the center clips as shown.

